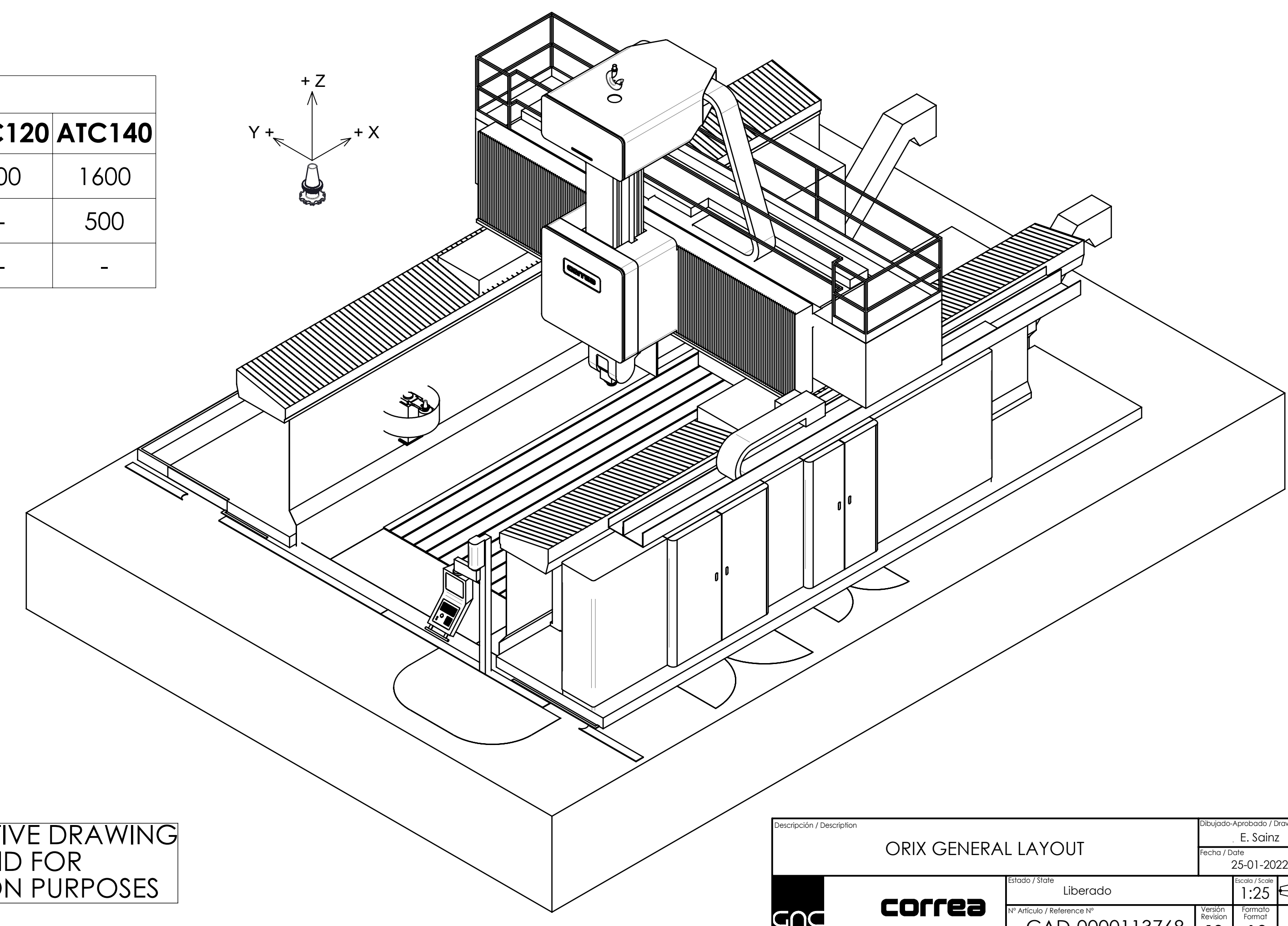


Z Travel	Vert Capacity	DBT	P	TSH	H	MH	mHCH
1500	A	2150	0	330	5215	6730	7100
	B	2650	190	20	5645	6920	7300
2000	C	2650	190	20	5745	7420	7300
	D	3150	690	20	6145	7920	7800

Y Travel	DBC	F	FF	G	K	DOG	FDO	Table Width
3250	4150	6260	9600	6300	1210	4000	10800	3000
4250	5150	7260	10600	7410	1710	5000	11800	4000
5250	6150	8260	11600	8600	2210	6000	12800	5000

X Travel	A	B	C	D		Table Length
				lcc	ccc	
3500	6000	8250	9320	10050	9898	3500
5000	9000	9600	10770	10850	11348	5000
6500	9000	11100	12170	13850	12748	6500
8000	12000	13000	14070	14250	14648	8000
9500	12000	14500	15520	17150	16098	9500
11000	15000	16300	17370	17550	17948	11000
12500	15000	17900	18970	20550	19548	12500
15500	18000	21400	22470	24050	23048	15500
18500	21000	24900	25970	27550	26548	18500
21500	24000	28400	29470	31050	30048	21500
24500	27000	31400	32470	34050	33048	24500

X Travel	J		
	ATC40/.100	ATC120	ATC140
3500	-	300	1600
5000	-	-	500
>6500	-	-	-

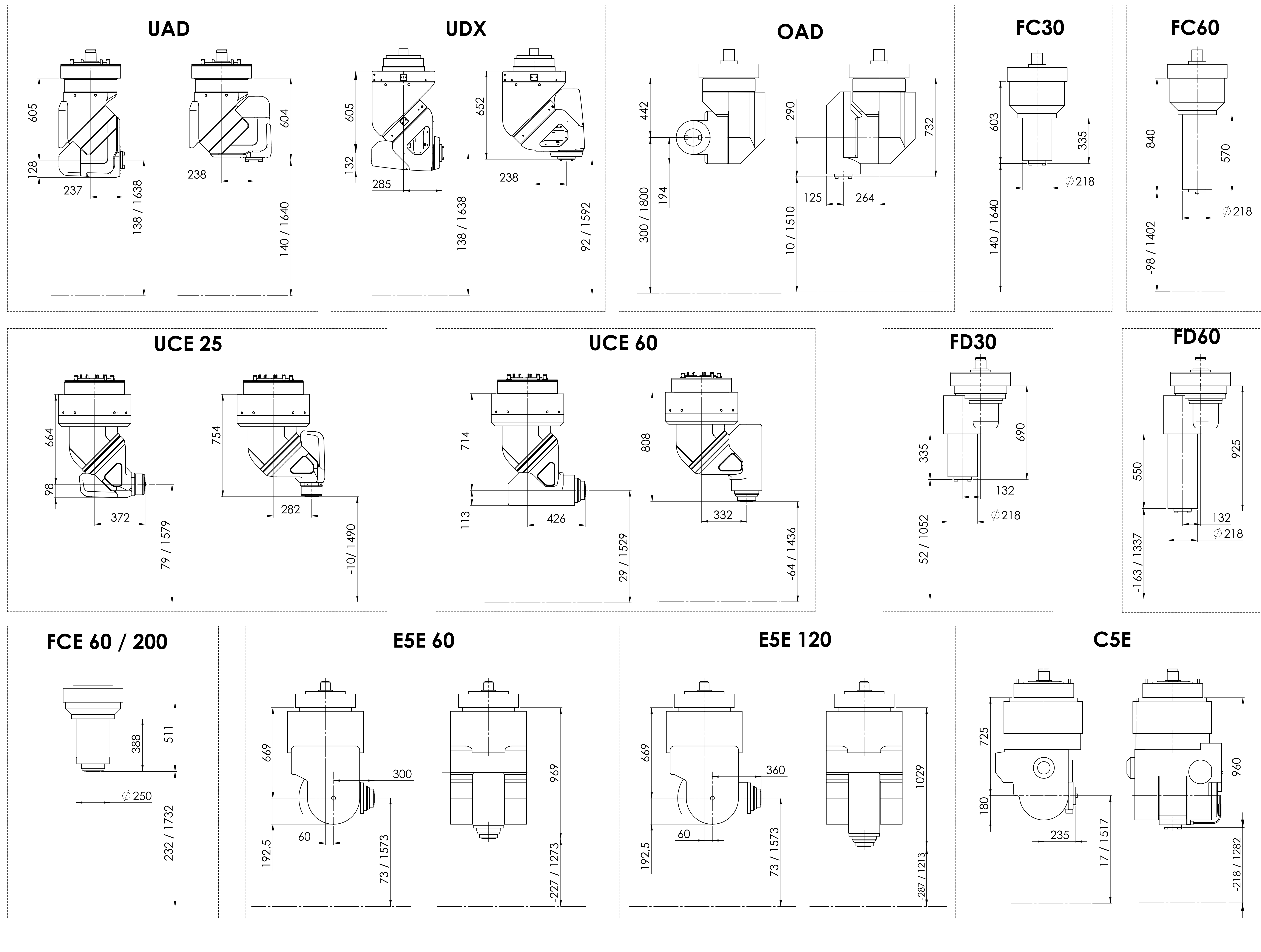


ATC = Automatic Tool Changer  
 DBT = Distance Beam Table  
 DBC = Distance Between Columns  
 MH = Machine Height  
 TSH = Table Surface Height  
 mHCH = Minimum Hook Crane Height only for assembly  
 H = Minimum Machine Height (fixed part)  
 P = Podium Height  
 FDO = Front Doors Open  
 ⊕ Air & Power Supply  
 LCC = Longitudinal Chip Conveyor  
 CCC = Cross Chip Conveyor

INFORMATIVE DRAWING  
 ONLY VALID FOR  
 QUOTATION PURPOSES

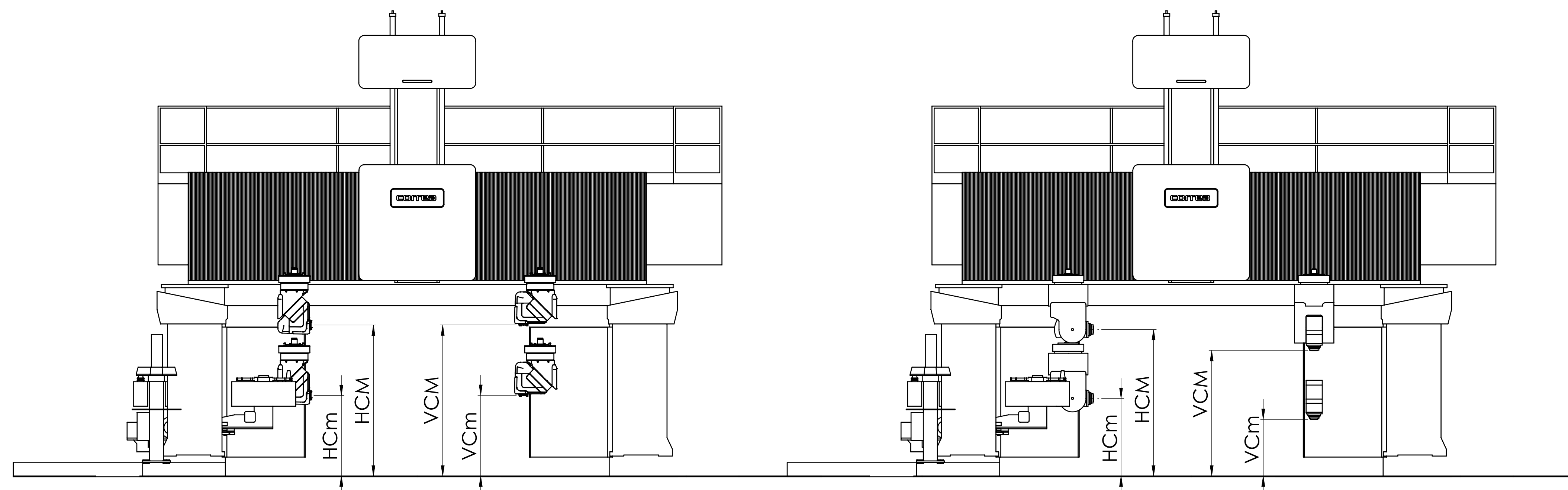
VERTICAL TRAVEL		1500		2000	
HEAD	Capacity	A	B	C	D
UAD FC30	HC m	138	638	138	638
	HC M	1638	2138	2138	2638
	VC m	140	640	140	640
	VC M	1640	2140	2140	2640
OAD	HC m	300	800	300	800
	HC M	1800	2300	2300	2800
	VC m	10	510	10	510
	VC M	1510	2010	2010	2510
FCE 60 / 200	VC m	232	482	232	482
	VC M	1732	1982	2232	2482
FC60	VC m	-98 (0)	402	-98 (0)	402
	VC M	1402	1902	1902	2402
FD30	VC m	52	552	52	552
	VC M	1552	2052	2052	2552
FD60	VC m	-183 (0)	67	-183 (0)	67
	VC M	1317	1567	1817	2067
E5E 60	HC m	(195)	573	(195)	573
	HC M	1573	2073	2073	2573
	VC m	(-105)	273	(-105)	273
	VC M	1273	1773	1773	2273
E5E 120	HC m	(195)	573	(195)	573
	HC M	1573	2073	2073	2573
	VC m	(-165)	213	(-165)	213
	VC M	1213	1713	1713	2213
C5E	HC m	(185)	517	(185)	517
	HC M	1517	2017	2017	2517
	VC m	(-50)	282	(-50)	282
	VC M	1282	1782	1782	2282
UDX	HC m	138	388	138	388
	HC M	1638	1888	2138	2388
	VC m	92	342	92	342
	VC M	1592	1842	2092	2342
UCE 25	HC m	(100)	329	(100)	329
	HC M	1579	1829	2079	2329
	VC m	(11)	240	(11)	240
	VC M	1490	1740	1990	2240
UCE 60	HC m	(115)	279	(115)	279
	HC M	1529	1779	2029	2279
	VC m	(22)	186	(22)	186
	VC M	1436	1686	1936	2186

## ORIX VERTICAL CAPACITIES EXAMPLES: Z1500 Vertical Capacity = A



Not all the heads allow full Z travel.

( ) Vertical travel limited to avoid crashes with the table.



HC m = minimum Horizontal Capacity  
 HC M = Maximum Horizontal capacity  
 VC m = minimum Vertical Capacity  
 VC M = Maximum Vertical Capacity

Capacity = Distance between nose spindle and surface table